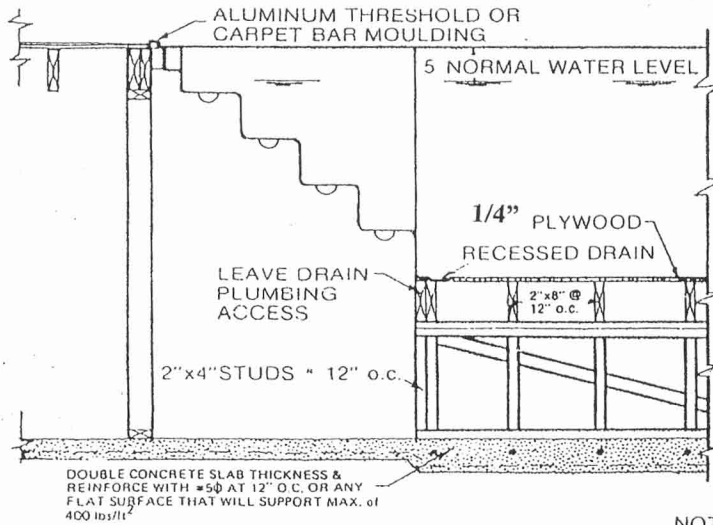
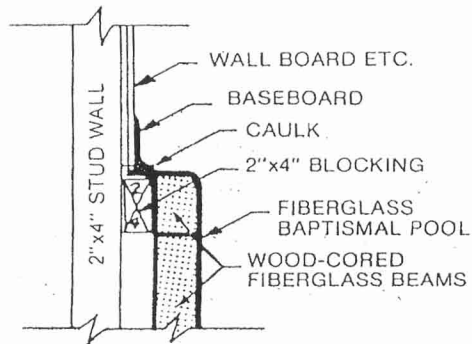


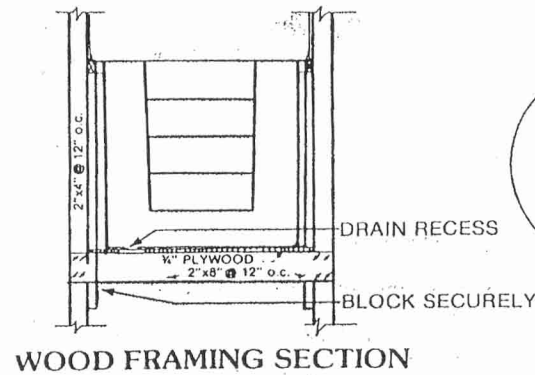
Typical Baptistry Installation Details



ELEVATED FRAMING SECTION



SECTION OF POOL & WALL

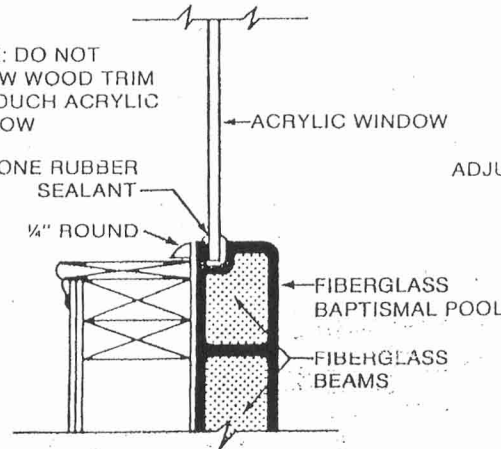


WOOD FRAMING SECTION

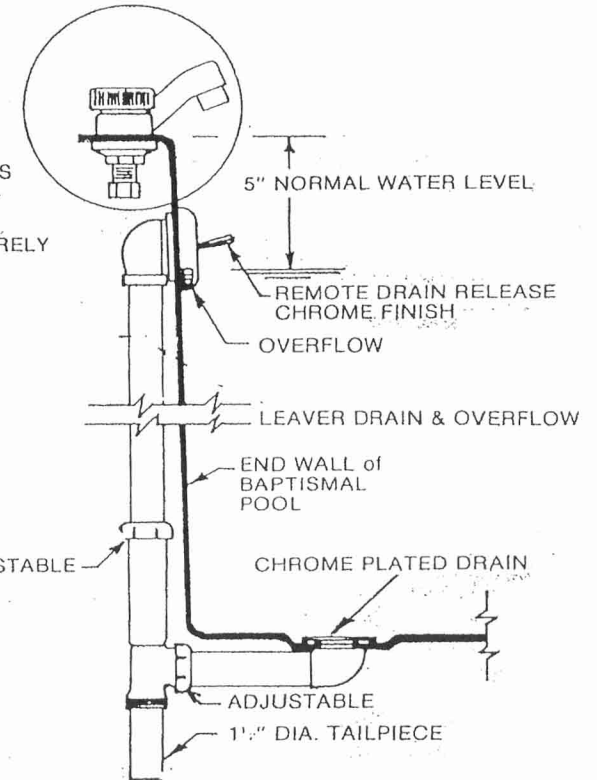
NOTE: DO NOT ALLOW WOOD TRIM TO TOUCH ACRYLIC WINDOW

SILICONE RUBBER SEALANT

1/4" ROUND



SECTION THRU WINDOW FRAME



PLUMBING INSTALLATION DETAILS

IMPORTANT

**Drains are to be placed
In either of the
Four corners where
The coring material
Has been
Notched.**

**DO NOT DRILL
THROUGH CORING
MATERIAL TO
INSTALL DRAIN.**