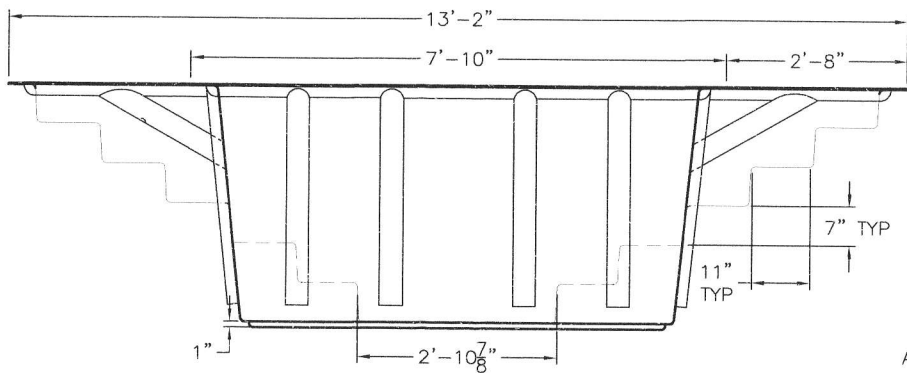
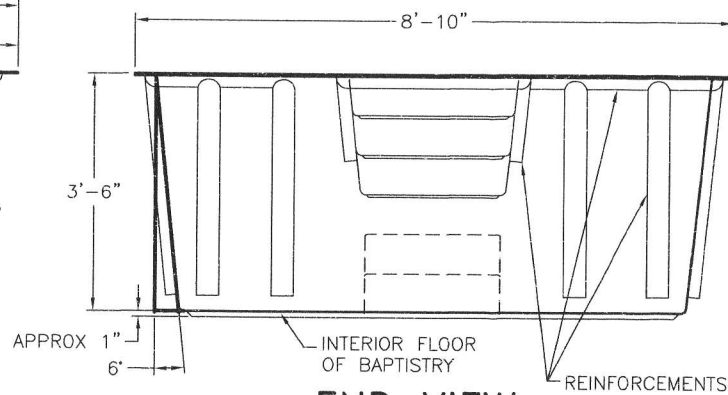


PLAN VIEW



SIDE VIEW



END VIEW

INSTALLATION NOTES:
 Plumbing holes (drain, heater, etc.)
 to be located and cut in field by
 contractor or plumber.
 Drain should be located in any of
 the four corners of the tank floor.

NOTE:
 Steps shall conform to nationally
 accepted model building code
 requirements with regard to riser
 height and tread width. Step tread
 surfaces shall have a raised disk
 slip-resistant surface. All corners
 shall be gently rounded for safety.

Capacity: 940 gal.