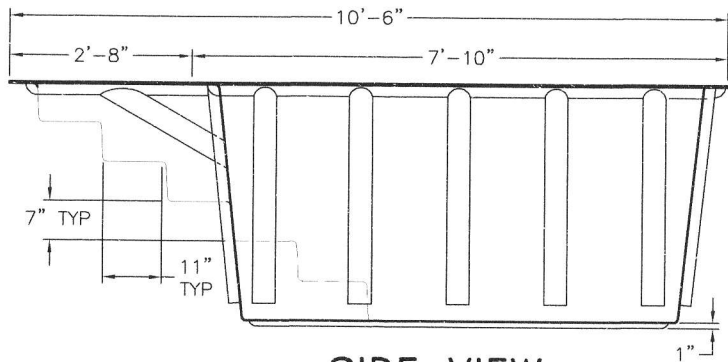


PLAN VIEW

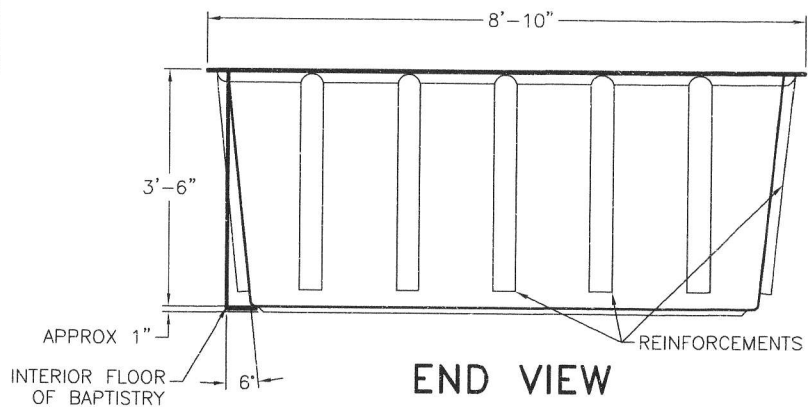
INSTALLATION NOTES:  
 Plumbing holes (drain, heater, etc.)  
 to be located and cut in field by  
 contractor or plumber.  
 Drain should be located in any of  
 the four corners of the tank floor.

NOTE:  
 Steps shall conform to nationally  
 accepted model building code  
 requirements with regard to riser  
 height and tread width. Step tread  
 surfaces shall have a raised disk  
 slip-resistant surface. All corners  
 shall be gently rounded for safety.

Capacity: 940 gal.



SIDE VIEW



END VIEW