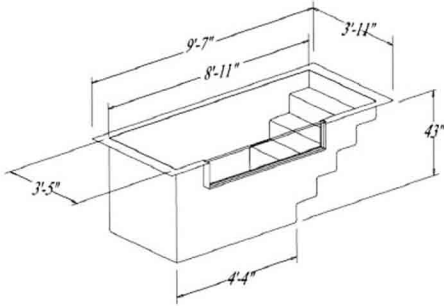
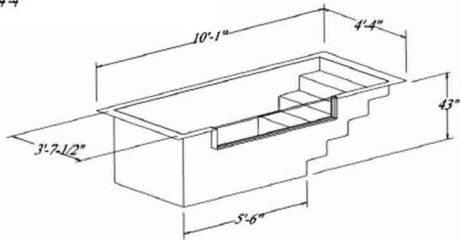


# Baptistries

## Single Entry Models

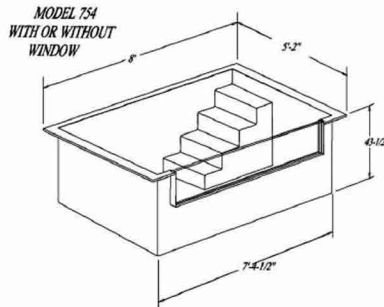


**Model 947 -**  
9'7" L x 3'11" W x 43" D - 450 gal. - 300 lbs.  
Window is optional



MODEL 1052

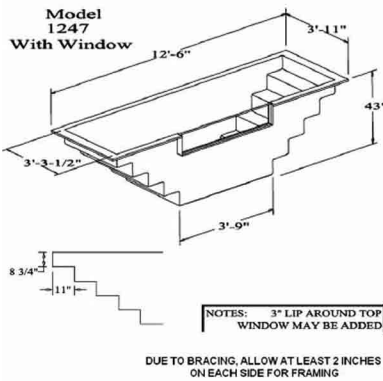
**Model 1052 -**  
10'2" L x 4'4" W x 43" D - 500 gal. - 325 lbs.  
Window is optional



MODEL 754  
WITH OR WITHOUT  
WINDOW

**Model 754 -**  
8" L x 5'2" W x 43" D  
Window is optional

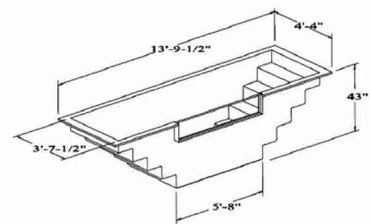
## Double Entry Models



NOTES: 3" LIP AROUND TOP  
WINDOW MAY BE ADDED

DUE TO BRACING, ALLOW AT LEAST 2 INCHES  
ON EACH SIDE FOR FRAMING

**Model 1247 -**  
12'6" L x 3'11" W x 43" D - 575 gals. - 375 lbs.  
Window is optional



1352

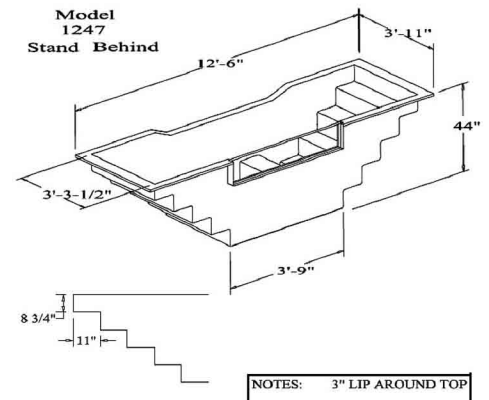
With Window

NOTES: Inside bottom 3'-4" W  
4 Steps on each side

DUE TO BRACING, ALLOW AT LEAST 2 INCHES  
ON EACH SIDE FOR FRAMING

**Model 1352 -**  
13'10" L x 4'4" W x 43" D - 650 gals. - 400 lbs.  
Window is optional

## Dry Minister Model

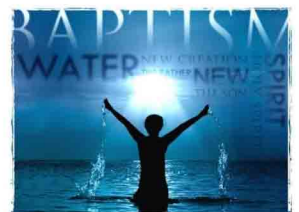


NOTES: 3" LIP AROUND TOP

DUE TO BRACING, ALLOW AT LEAST 2 INCHES  
ON EACH SIDE FOR FRAMING

**Model 1247SB -**  
12'6" L x 3'11" W x 44" D  
(window configuration only)

Contact us today  
[www.BaptistyStore.com](http://www.BaptistyStore.com)  
800-639-7397



# Baptistry Accessories

## FITTINGS & FIXTURES

### #172 Trip Lever Drain Overflow & Release

3 Ft. or 3 ½ Ft. Trip Lever Unit. Can be installed at any location. Simply operate lever at overflow to open and close drain valve. "O" Rings on valve prevent leakage.

### #700 Single Fill Faucet ½" S.P.S



**#6895 Electrical Interrupter** is designed to turn off all power to the Baptistry Heating Electrical System if there is a short of only 5 to 6 mili amps. Protecting people from electrical shock. The National Electrical Codes in many states, counties and cities are requiring that a ground fault interrupter must be installed in electrical systems where it is possible for people to be subjected to a short-to-ground condition. The #230, rated at 30A will handle the 6KW, or 11.5KW Circulation Heaters. Wiring diagrams are supplied with the Ground Fault Interrupter. Always install GFI as close to the heater as possible. Nipple the GFI to the contactor box or heater cover box.



### Deluxe Baptistry Heater



The ChurchRite 240 V Circulation Heater features an stainless steel housing (no rust), a 1/2 HP pump motor, and thermostat control. Available in 5.5 KW and 11 KW sizes. The 5.5 will heat the average 500 gallon baptistry in 6 hours by 30 degrees F. The 11 KW will heat the same baptistry by 36 degrees F in about 4 hours. Can be installed up to 12 feet from baptistry. Heating indicator light. Adjustable thermostat. GFCI included. Air button On/Off switch. Receptacle for the optional Auto/Fill Drain Unit. Easy assembly required.

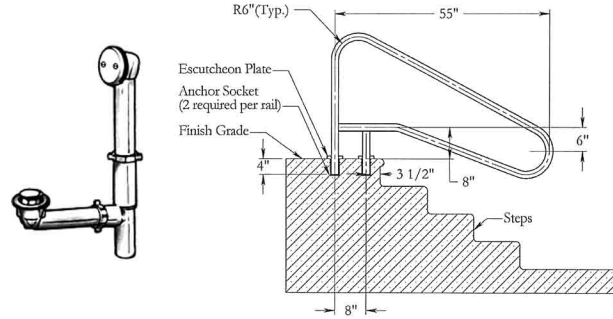
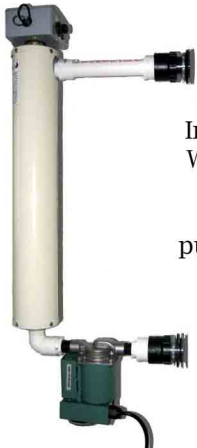
One Year Ltd. Manufacturer's Warranty

**Free Shipping to 48 States!**

### 6KW Circulation Baptistry Heater

Incoloy Steel Heating Elements / Adjustable Thermostat  
Well Insulated with Fiberglas / 240v single phase power  
Can be used with 208v, but heating is reduced 25%  
Can be used with 120v, but heating is reduced 75%  
pump is 1/40 H.P. - 120v - circulated 600 GPH at 1' head  
Hi-limit switch is set at 118°F (± 4°)  
Kits include heater, pump, installation kit  
**FREE DELIVERY TO 48 STATES**

**FREE Shipping to 48 States!**



### Hand Rails

Make it easier safer for your celebrants to enter and exit the baptistry with a stainless steel handrail system. Mounts directly to the landing floor, and may be easily installed on concrete, tile, wood & metal.

### Immersion Baptistry Water Heater

The 240V heater will heat 60 Gallons per hour to a 40 degree rise. A 750 - 1000 gallon tank will heat in 13 - 17 hours. If you select the 120V model, the heater will operate at 120 volts and power will be reduced to 1.5 KW and will heat 15 GPH to 40 degree rise.

**Models IM120 & IM240**  
**Models IM120G & IM240G**  
**FREE Shipping to 48 States!**



### Filter/Skimmer

We also offer a cartridge style skimmer/filter for use with your baptistry to help keep bugs out and keep your baptistry clean for use at any time.

**Contact us today**  
**www.BaptistryStore.com**  
**800-639-7397**

